

Installation Procedure

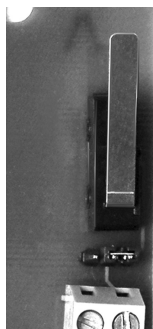
The installation involves (A) mounting, wiring, and (B) programming guards.

(A) Mounting and Wiring

Mount the Alarm Interface and wiring close to the alarm panel and is high as possible for good RF (Radio) Range.

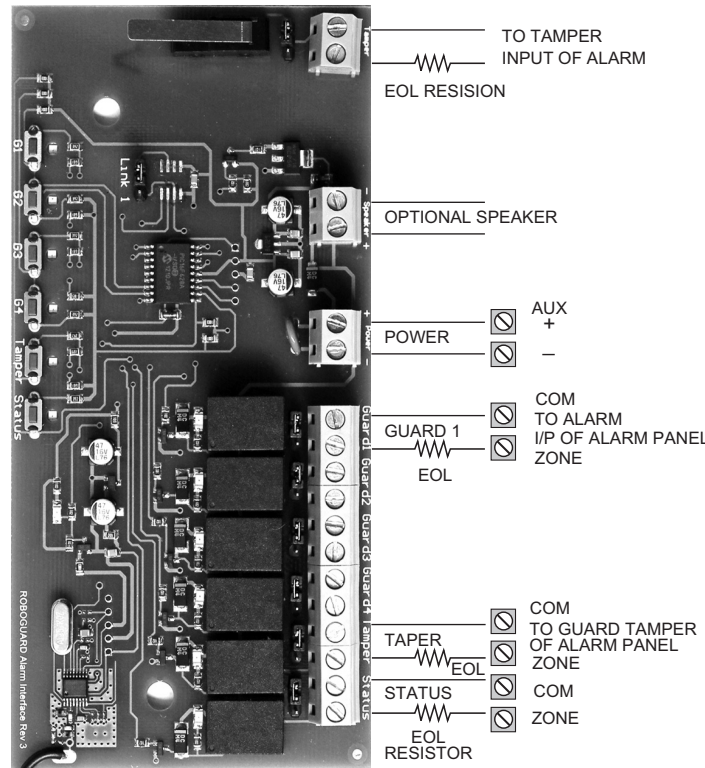
(B) Roboguard Programming

1. To enter Roboguard programming mode: hold down the **tamper** button the red tamper LED will switch **ON**. You are now in Roboguard programming mode (let go of the button now). Guard LED's that already have Roboguards programmed into them will now be **ON**.
2. Press and release the button for the desired guard to be programmed (only the desired zone LED and the tamper LED should be ON).
3. Depress and release **the tamper lever on the Roboguard** to send a tamper signal to the Alarm Interface.
4. The Alarm Interface will extinguish all the LED's momentarily, and then all the LED's will flash.
5. Press any guard button to reset, the appropriate guard light should be on solid and can now be tested by triggering the Roboguard. If the Alarm interface is not yet connected to the alarm panel, you can see the trigger, **as the guard light will start to flash after triggering and then you will hear the relay .**



TAMPER SWITCH ON ROBOGUARD

6. To erase a Roboguard enter Roboguard programming mode, then select the guard to be erased and press the status button. Press any guard button to reset.
7. Continue as above until all your guards are programmed.



(C) General Operation

The Alarm Interface is used to interface up to four Roboguards.

GREEN Guard LEDs (zone control and intruder detection)

Each of the guards can be individually switched on or off. Switching off does NOT disable the status or the tamper monitoring. If the green led for the guard is OFF then the zone is disabled. If it is ON then the guard is ON and not triggered. If it is FLASHING then the guard is ON and has been triggered. Pushing the zone button will change the state of the led from OFF to ON and back again or from FLASHING to OFF to ON. NOTE: Guards which do not have Roboguards programmed will not function.

RED Tamper LED FLASHING (Tamper Detection Triggered)

If a Roboguard's battery cover is removed, a tamper signal will automatically be sent, and permanently flash the red tamper LED. To establish which Roboguard was tampered with and to reset the tamper detect LED you must do the following:

1. Press and release the tamper button (tamper LED on, AI is now in tamper detected display mode)
2. The guard LED for the Roboguard that has been tampered with will be solid **ON**.
3. Press and release all **ON** LED's so only the red tamper LED is left on.
4. Press and release the tamper button (LED off) or do nothing as the keypad will time out and exit automatically.
5. Determine what caused the Tamper to trigger and correct the problem.